

ETL 125-125-160 GGS AV66D300554 BKS BIE5 PD2M
 Inline pump

Operating data

Requested flow rate		Actual flow rate	144.00 m ³ /h
Requested developed head		Actual developed head	8.00 m
Pumped medium	Antifreeze on ethylene glycol base, inhibited, closed system, e.g. Antifrogen N or similar products	Efficiency	77.0 %
	Antifrogen N, concentration 35%	MEI (Minimum Efficiency Index)	= 0.60
	Not containing chemical and mechanical substances which affect the materials	Power absorbed	4.32 kW
Ambient air temperature	20.0 °C	Pump speed of rotation	1500 rpm
Fluid temperature	-8.0 °C	NPSH required	2.47 m
Fluid density	1059 kg/m ³	Permissible operating pressure	16.00 bar.g
Fluid viscosity	7.62 mm ² /s	Discharge press.	0.83 bar.g
Suction pressure max.	0.00 bar.g	Min. allow. mass flow for continuous stable operation	6.20 kg/s
Mass flow rate	42.34 kg/s	Max. allow. mass flow	60.15 kg/s
Max. power on curve	4.48 kW	Design	Single system 1 x 100 %
Min. allow. flow for continuous stable operation	21.10 m ³ /h		Tolerances to ISO 9906 Class 3B; below 10 kW acc. to paragraph 4.4.2
Shutoff head	10.02 m		

Design

Pump standard	Without	Material code	Q7Q7EGG
Caution: The overall length from suction to discharge can be different to the previous generation of Etaline.		Shaft seal code	66
Design	Close-coupled in-line	Sealing plan	Single-acting mechanical seal with vented chamber (A-type casing cover, taper bore)
Orientation	Vertical	Seal chamber design	Conical seal chamber (A-type cover)
Suction nominal dia.	DN 125	Contact guard	With
Suction nominal pressure	PN 16	Wear ring	Casing wear ring
Suction position	180° (down)	Impeller diameter	177.0 mm
Suction flange drilled according to standard	EN1092-2	Free passage size	16.4 mm
Discharge nominal dia.	DN 125	Direction of rotation from drive	Clockwise
Discharge nominal pressure	PN 16	Silicon free pump assembly	Yes
Discharge position	top (0°/360°)	Bearing bracket construction	Close-coupled
Discharge flange drilled according to standard	EN1092-2	Bearing bracket size	35
Shaft seal	Single acting mechanical seal	Bearing type	Anti-friction bearings
Manufacturer	Burgmann	Lubrication type	Grease
Type	MG13G6	Color	Vermilion (RAL 2002)

ETL 125-125-160 GGS AV66D300554 BKS BIE5 PD2M
 Inline pump

Driver, accessories

Driver type	Electric motor	Rated current	13.5 A
Drive standard mech.	IEC	Insulation class	F to IEC 34-1
Model (make)	KSB SuPremE®	Motor enclosure	IP55
Type series motor manufacturer	SuPremE B2 (with mounting plate for PumpDrive 2, non removable)	Cos phi at 4/4 load	0.73
Drive supplied by	Standard motor supplied by KSB - mounted by KSB	Motor efficiency at 4/4 load	92.0 %
Motor const. type	V1	Temperature sensor	3 PTC resistors
Motor size	132S	Terminal box position	0° same orientation
Efficiency class	Efficiency class IE5 acc. IEC/TS 60034-30-2 (2016) – free of magnets. The efficiency of the motor for a quadratic torque-speed characteristic is > 95% of the nominal efficiency even at 25% of the nominal power.	Motor winding	400 V
Designed for operation with frequency inverter	Yes	Connection mode	Star
Motor speed	1500 rpm	Motor cooling method	Surface cooling
Frequency	50 Hz	Motor material	Aluminium
Rated voltage	400 V	Motor noise pressure level	61 dBa
Rated power P2	5.50 kW	Driver colour	Same as the pump
Available reserve	27.24 %		

Materials G

Volute casing (102)	Grey cast iron EN-GJL-250/A48CL35B	Casing wear ring (502.1)	Grey cast iron GG/CAST IRON
Casing cover (161)	Grey cast iron EN-GJL-250/A48CL35B	Casing wear ring (502.2)	Grey cast iron GG/CAST IRON
Shaft (210)	Tempered steel C45+N	Shaft sleeve (523)	CrNiMo steel
Impeller (230)	Grey cast iron EN-GJL-250/A48CL35B	Stud (902)	Steel 8.8
Motor stool (341)	Grey cast iron EN-GJL-250/A48CL35B	Impeller nut (922)	Steel 8
Flat gasket (400)	DPAF seal plate asbestos free	Key (940)	Steel C45+C / A311 GR 1045 CLASS A
Joint ring (411)	Steel ST		

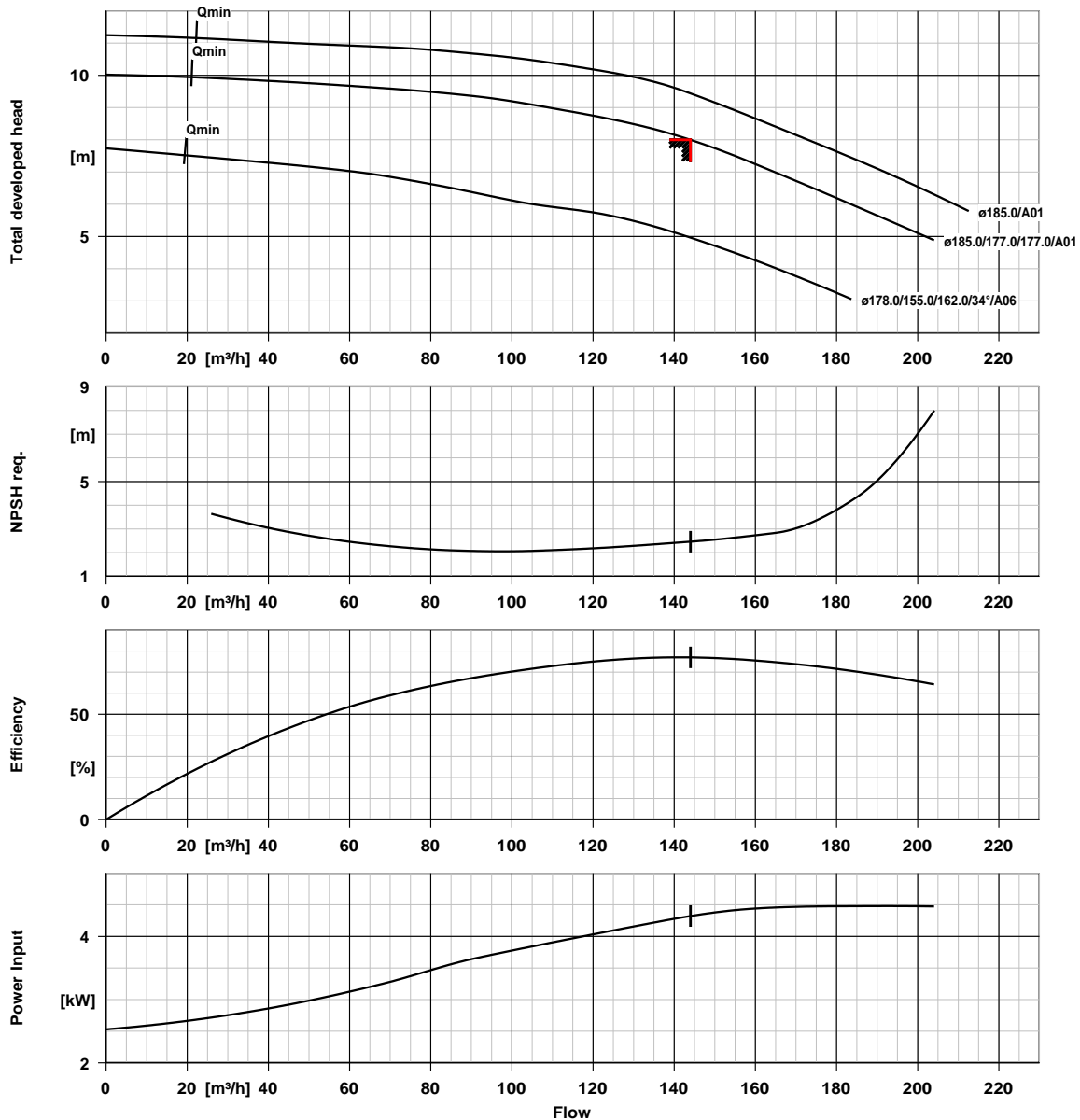
FOOT 472X 472X 40

Foot 472X472X40
 EN-GJL-250/A48 CL35B + lacquered
 + disc and screw
 f ETALINE 100-100-160 to 200-200-315
 Pump foot for vertical installation
 Etaline(Z) 100-160 up to 200-315
 Pump foot, not for Etaline SY
 Weight : 12.4 kg

Material no.: 01614068

Á
Á
Á
Á

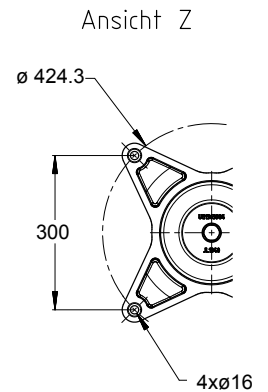
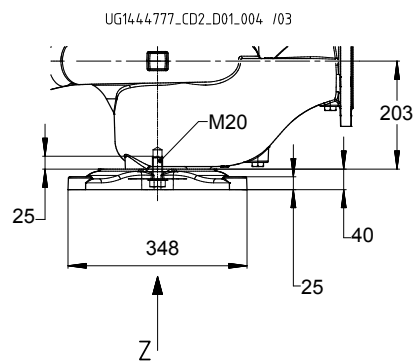
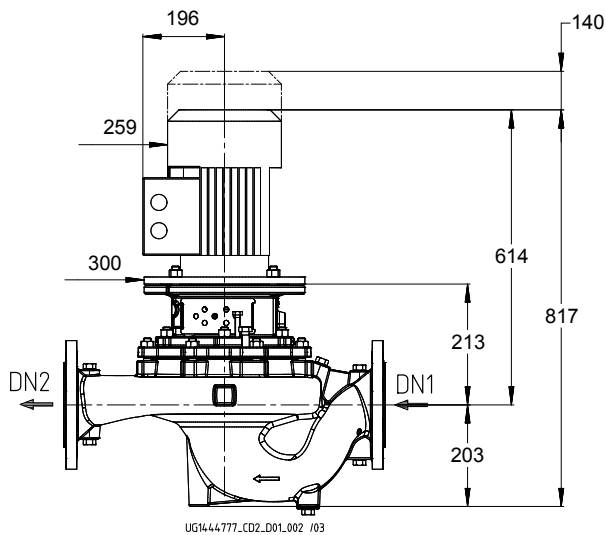
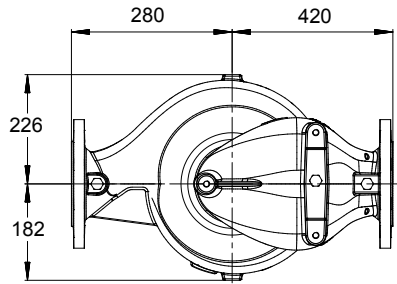
ETL 125-125-160 GGS AV66D300554 BKS BIE5 PD2M
 Inline pump



Curve data

Speed of rotation	1500 rpm	Efficiency	77.0 %
Fluid density	1059 kg/m³	MEI (Minimum Efficiency Index)	= 0.60
Viscosity	7.62 mm²/s	Power absorbed	4.32 kW
Flow rate	144.00 m³/h	NPSH required	2.47 m
Requested flow rate	144.00 m³/h	Curve number	K1159.454/45
Total developed head	8.00 m	Effective impeller diameter	177.0 mm
Requested developed head	8.00 m	Acceptance standard	Tolerances to ISO 9906 Class 3B; below 10 kW acc. to paragraph 4.4.2

ETL 125-125-160 GGSAV66D300554 BKSBI5 PD2M
 Inline pump



Drawing is not to scale

Dimensions in mm

Motor

Motor manufacturer	KSB
Motor size	132S
Motor power	5.50 kW
Number of poles	4
Speed of rotation	1500 rpm
Position of terminal box	0° same orientation Viewed from the drive

Connections

Suction nominal size DN1	DN 125 / EN1092-2
Discharge nominal size DN2	DN 125 / EN1092-2
Nominal pressure suct.	PN 16
Rated pressure disch.	PN 16

Weight net

Pump	98 kg
Motor	45 kg
Other accessories	12 kg
Total	156 kg

Connect pipes without stress or strain!

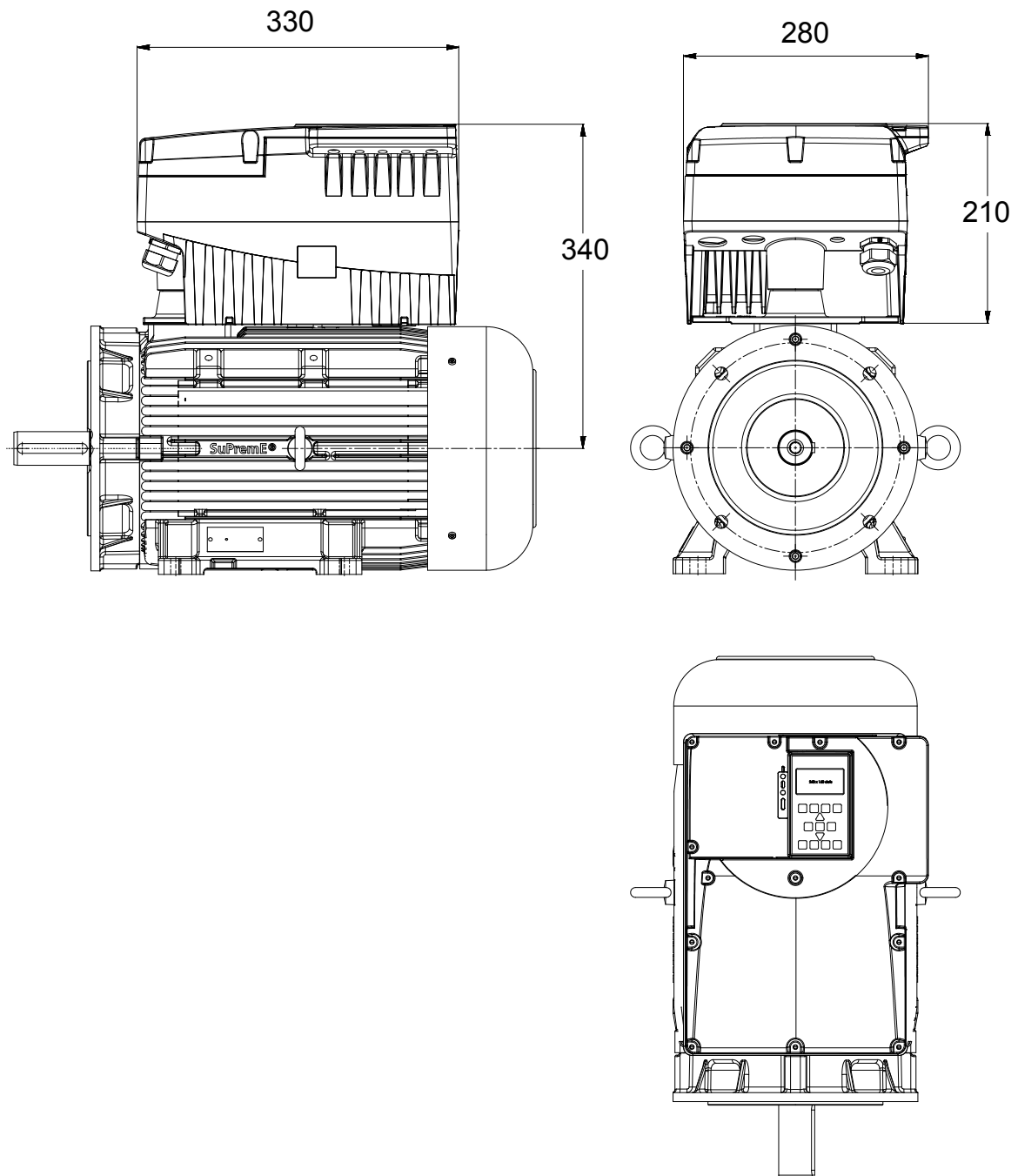
For auxiliary connections see separate drawing.



ETL 125-125-160 GGS AV66D300554 BKS BIE5 PD2M
Inline pump

Supplementary drawing for PumpDrive

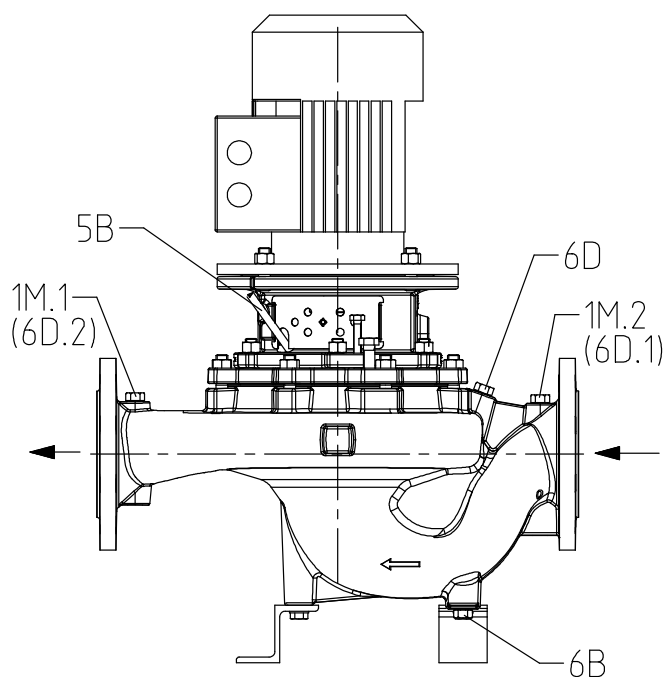
ETL 125-125-160 GGS AV66D300554 BKS BIE5 PD2M
Inline pump



Drawing is not to scale

ETL 125-125-160 GGS AV66D300554 BKS BIE5 PD2M

Inline pump



UG14.44722_D01_003/ 02

Connections

Pump casing variant		XX46
1M.1 Pressure gauge connection	G 1/2	Pressure sensor for PumpMeter fitted
1M.2 Pressure gauge connection	G 1/2	Pressure sensor for PumpMeter fitted
6B Pumped liquid drain	G 1/2	Drilled and plugged.
6D Pumped medium - filling / venting	G 1/2	Drilled and plugged.
5B venting	G 1/4	Closed with venting plug

PDRV2_005K50M_KSUPBE5P4_MO000

PumpDrive 2

Modular, self-cooling frequency inverter enabling continuously variable speed control of asynchronous and synchronous reluctance motors.		Optional IO module	Without
Design concept of control unit	PumpDrive 2	Mounting	MM - Mounted on the motor
Display type	With graphic control panel	Weight	13 kg
Rated power	5.50 kW	PumpDrive length	330.0 mm
Max. allowed current	14.0 A	PumpDrive width	280.0 mm
M12 module	With	PumpDrive height	210.0 mm
Remote operation	Without	Manufacturer	KSB
Main switch	Without	PumpDrive adapter	No
Fieldbus	without fieldbus	Designation	-

Characteristic

Mains voltage: 3 ~ 380 V AC -10% to 480 V AC +10 %

Mains frequency: 50 - 60 Hz +/- 2%

Interference suppression class: <= 11 kW: EN 61800-3 C1 / EN 55011 Class B / cable length <= 5 m

Interference suppression class: > 11 kW: EN 61800-3: C2 / EN 55011 Class A, Group 1 / cable length <= 50 m

Internal power supply: 24 V +/- 10 %, max. 600 mA DC

Service interface: optical

2 analog inputs, 0/2-10 V or 0/4-20 mA

1 analog output, 0-10 V or 4-20 mA

Digital inputs:

1 hardware enable input

5 parameterisable inputs

Relay output: 2 changeover contacts, parameterisable

Environment:

IP 55 enclosure (acc. EN 60529)

Ambient temperature: -10 to 50 °C

Rel. humidity in operation: 5 % to 85 % (non-condensing)

Note regarding Outdoor installation: Provide the frequency inverter with suitable protection when installed outdoors to prevent condensation on the electronic equipment and exposure to excessive sunlight.

Housing:

Heat sink: die-cast aluminium

Housing cover: die-cast aluminium

Control panel: Polyamid, glass fibre reinforced

Protective functions:

- Full protection by means of overcurrent limitation and PTC thermistor monitoring.
- Automatic speed reduction at overload and excessive temperatures. Protection against phase failure motor side, short-circuit monitoring motor side (phase to phase and phase to earth), overvoltage/undervoltage
- Protection against motor overload.
- Suppression of resonant frequencies.
- Cable integrity monitoring (live zero).
- Protection against dry running and hydraulic blockage (sensorless via learning function)
- Characteristic curve control

Open/closed-loop control

- Open-loop control via analog input, display or fieldbus

- User-definable max. speed (0 to 70 Hz or 140 Hz).

- Closed-loop control mode via integrated PID controller

- Controlled variables: pressure, differential pressure delta-p (constant) or delta-p (variable), temperature, level control, flow rate

- Sensorless differential pressure control (Δp const) in a single-pump configuration

PDRV2_005K50M_KSUPBE5P4_MO000

- Sensorless differential pressure control with dynamic pressure compensation (Δp var) in a single-pump configuration
- Sensorless flow rate control
- Sensorless dynamic pressure compensation for pipe friction losses (DFS curve), enabling higher energy savings.
- Flow rate estimation
- Alternative setpoint
- Functional check run

Operation and display:

- Display of measured values and alerts and for setting parameters, incl. fault history, operating hours counter (motor, frequency inverter)
- Display of operating point (Q, H)
- Energy savings meter
- Optical service interface for connection to KSB Service Tool.
- Commissioning Wizard
- Display can be removed and mount on a wall or piping

PumpDrive functions

- Programmable start and stop ramps
- Field-oriented control (vector control) with selectable motor control method (ASM, SuPremE)
- Automatic motor adaptation (AMA)
- Manual-0-automatic operation.
- Sleep mode (stand-by mode)

Installation options:

- M12 module for bus connection of PumpMeter and for multiple pump operation of up to six pumps
- Wireless module for communication with a Smartphone
- Field bus modules Profibus DP, LON, Modbus RTU, BACnet MS/TP, Profinet
- I/O extension board
- Master switch

PumpMeter

Intelligent Pressure Transmitter PumpMeter - with on-site display of operating point

General description:

PumpMeter is an intelligent pressure transmitter with on-site display of measurement values and operating data of the pump. It comes factory-provided completely assembled and parameterised for your individual pump, to be connected via M12 connector and immediately ready to operate. PumpMeter records the pumps load profile during operation in order to – if applicable – provide information on the potential for energy savings or increased availability.

On-site display unit:

Backlit display unit for on-site display of measurement values and operating data of pump with intuitive and internationally comprehensible icons, rotatable in steps of 90°.

Display values:

suction pressure, pressure at inlet of pump in bar, gauge pressure
 discharge pressure, pressure at outlet of pump in bar, gauge pressure
 differential pressure between in- and outlet of pump in bar
 qualitative indication of operating point

Connection of display unit via connector (M12 x 1, 5-pin for power supply and utilization of communication interface.
 Making alternatively available:
 measurement value of discharge pressure via analogue signal 4 ... 20 mA
 calculated value of differential pressure via analogue signal 4 ... 20 mA
 all display values via serial interface RS 485 (Modbus RTU).
 Service interface RS232 for parameterisation.
 Factory provided parameterisation for individual pump.

Sensors:

Two gauge pressure transmitters, one each factory provided on both, inlet and discharge side of pump. Connected to display unit via connector.

Accuracy of measurement (sum of errors; relating to measurement range):

±1% for fluid temperature -10 ... 100 °C

±2.5% for fluid temperature -30 ... -10 °C and 100 ... 140 °C

Material of measuring cell: stainless steel (no internal gasket)

Available measurement ranges:

-1 ...10 bar (gauge pressure)

-1 ...10 bar (gauge pressure)

Ambient conditions:

Type of protection: IP 65

Ambient temperature:

-30°C ... 80°C (during transport, storage)

-10°C ... 60°C (operation)

Fluid temperature: -30°C ... 140°C

Scuff resistance:

Ultraviolet resistance (outdoor installation)

Resistance to most cleaning agents

Resistance to oil mist

Silicone free:

No detrimental to paint adhesion

Electric data:

Power supply:

24V DC ± 10%, min. 140 mA

Interfaces, alternatively utilisable:

4 ... 20 mA, 3-conductor (discharge pressure or differential pressure)

RS485, Modbus RTU (Slave)

Service interface: RS232

EMC:

EN 61326 (Immunity: industrial environment, Emissions: applicable in home and building environment)