

Data sheet



Customer item no.:
Communication dated:
Doc. no.:
Quantity: 1

Number: ES 3519390
Item no.: 100
Date: 19/03/2015
Page: 1 / 6

Omega 125-290 A GB P F

Version no.: 1

Operating data

| | | | |
|--|--|---|--------------------------|
| Requested flow rate | 360.00 m ³ /h | Actual flow rate | 360.00 m ³ /h |
| Operating data determined for maximum inlet pressure | | Actual developed head | 130.00 m |
| Requested developed head | 130.00 m | Efficiency | 78.2 % |
| Pumped medium | Water Clean water Not containing chemical and mechanical substances which affect the materials | Power absorbed | 163.80 kW |
| Ambient air temperature | 20.0 °C | Pump speed of rotation | 2986 rpm |
| Fluid temperature | 20.0 °C | NPSH required | 11.87 m |
| | | NPSH 3% | 6.61 m |
| | | Discharge press. | 13.01 bar.g |
| Fluid density | 998 kg/m ³ | Max. power on curve | 220.56 kW |
| Fluid viscosity | 1.00 mm ² /s | Min. allow. flow for continuous stable operation | 288.42 m ³ /h |
| Suction pressure max. | 0.19 bar.g | Min. allow. mass flow for continuous stable operation | 79.96 kg/s |
| Suction pressure min. | 0.19 bar.g | Shutoff head | 143.15 m |
| NPSH available | 11.93 m | Max. allow. mass flow | 190.96 kg/s |
| Mass flow rate | 99.80 kg/s | Design | Single system 1 x 100 % |

Design

| | | | |
|--|---|-------------------------------------|---|
| Pump standard | KSB axially split volute casing pump | Full impeller diameter | 301.0 mm |
| Design | Pump and motor on common Baseframe (3E) | Free passage size | 19.0 mm |
| Orientation | Horizontal | Direction of rotation from drive | Clockwise |
| Suction flange (AS) drilling+seal face according to | EN 1092-2 / DN 200 / PN 16 21A / FF | Bearing seal driver side | Lip seal |
| Discharge flange (AD) drilling+seal face according to | EN 1092-2 / DN 125 / PN 16 21A / FF | Bearing type driver side | Anti-friction bearings |
| Shaft seal | Gland packing | Lubrication type driver side | Grease |
| Manufacturer | KSB | Bearing sealing end side | Lip seal |
| Type | RT-P | Bearing type end side | Anti-friction bearings |
| Sealing plan | PE Gland packing (external circulation) | Bearing lubrication end side | Grease |
| Clean water operation: Pumped liquid with max. 50 mg/l solids. | | Temperature measurement tapping | with |
| Wear ring | Casing wear ring | Temperature sensor PT100 motor side | Without |
| Wear ring type | Standard design | Vibration measurement tapping | with |
| Impeller diameter | 301.0 mm | Color | Ultramarine blue (RAL 5002) KSB-blue |
| Minimum impeller diameter | 232.0 mm | | |

Customer item no.:
 Communication dated:
 Doc. no.:
 Quantity: 1

Number: ES 3519390
 Item no.: 100
 Date: 19/03/2015
 Page: 2 / 6

Omega 125-290 A GB P F

Version no.: 1

Driver, accessories

| | | |
|---|---|--|
| Manufacturer | Flender | Features : Baseframe not suitable for pumpset transport / Without drip pan |
| Coupling type | Eupex N | Delivery : Pump, Motor and baseframe separately |
| Nominal size | 180 | Driver type |
| Coupling guard type | Lightweight, not treadproof (ZN79) | Drive standard mech. |
| Guard size | A251 | Drive supplied by |
| Guard material | Steel | Motor const. type |
| Baseplate type | Pump and motor on common baseframe (3E) – light execution | Motor size |
| Baseplate size | OM3E06 | Frequency |
| Motorside drill | No | Available reserve |
| Scope of mounting parts : Baseframe for pump set incl. foundation bolts | | Terminal box position |
| | | Number of poles |

Materials GB

| | | | |
|--|---------------------------|---------------------------------|---------------------------|
| Notes | | Shaft seal housing (441) | Grey cast iron EN-GJL-250 |
| general criteria for a water analysis: pH-value >= 7; chloride content (Cl) <=250 mg/kg. chlorine (Cl2) <=0.6 mg/kg. | | Gland (452) | S235JR |
| Ammonium (NH4+) <= 2 mg/kg, free of H2S; Chlorine (Cl2) <=0.6 mg/kg. | | Stuffing box insert (455) | Tin Bronze CC493K |
| Volute casing (102) | Grey cast iron EN-GJL-250 | Neck ring (457) | Tin Bronze CC493K |
| Pump shaft (211) | Chrome steel 1.4021+QT800 | Lantern ring (458) | Tin Bronze CC493K |
| Double-entry impeller (234) | Tin bronze CC480K-GS | Casing wear ring (502) | Tin Bronze CC493K |
| Bearing housing (350.1) | Grey cast iron EN-GJL-250 | Shaft protecting sleeve (524.1) | GX120CRMO29-2 1.4138 |

Certifications

Tests acc. to QCP-Plan

Test standard QCP to ZN56555-1A
 Acceptance standard: None; tolerances to ISO 9906 class 2

| | |
|-------------------------|---------------|
| Test pressure | 18.46 bar.g |
| Test time | 10.0 min |
| Certificate | Without |
| Test participation | Non-witnessed |
| Quantity, non-witnessed | 1 |
| Quantity, witnessed | 0 |

Balancing test

| | |
|-------------------------|---------------|
| Balancing grade | G 6,3 |
| Part | Impeller |
| Certificate | Without |
| Test participation | Non-witnessed |
| Quantity, non-witnessed | 1 |
| Quantity, witnessed | 0 |

Final visual inspection

| | |
|-------------------------|---------------|
| Certificate | Without |
| Test participation | Non-witnessed |
| Quantity, non-witnessed | 1 |
| Quantity, witnessed | 0 |

Hydrostatic test (room temp.)

Range Complete pump with shaft seal

Performance curve

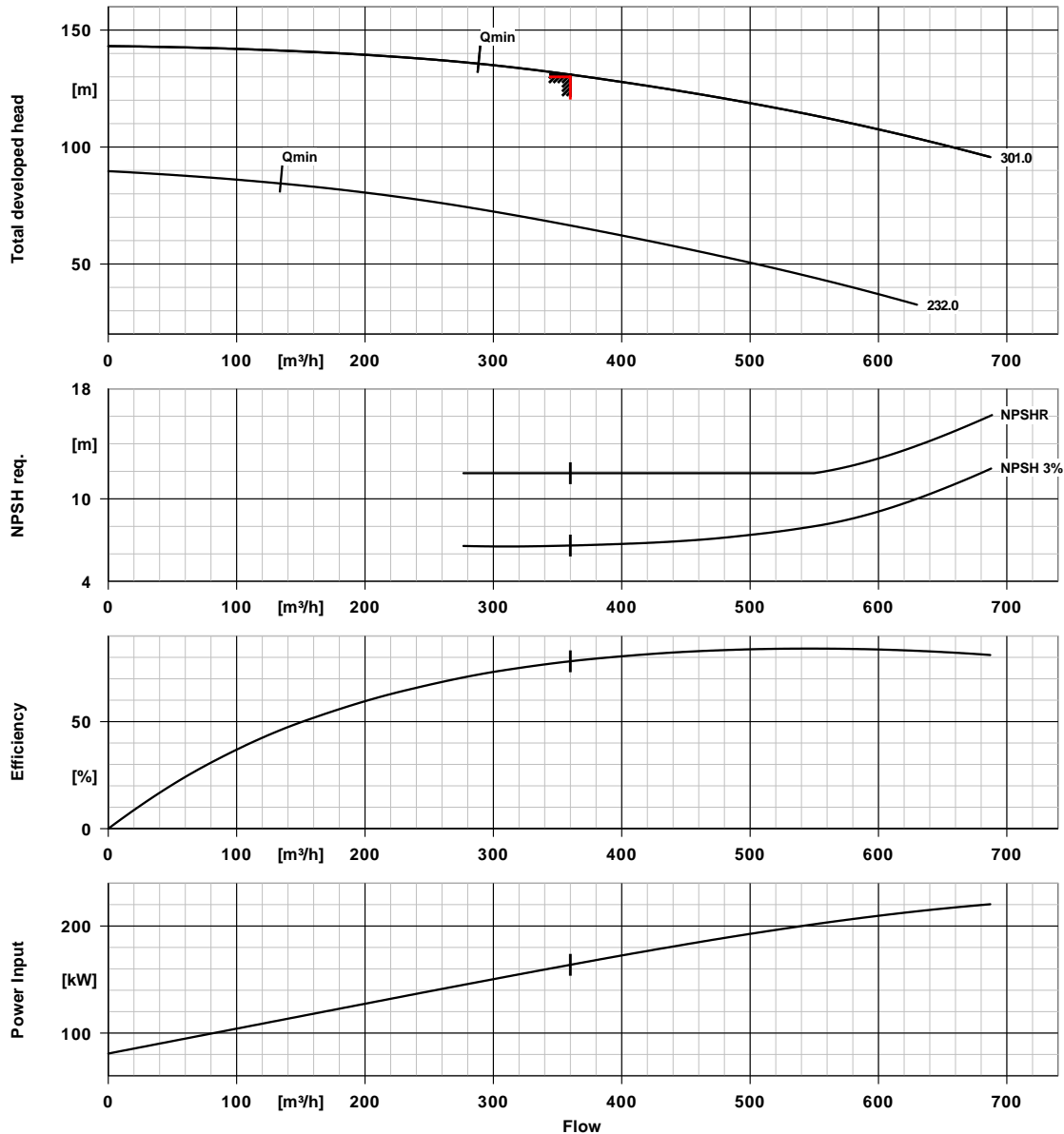


Customer item no.:
 Communication dated:
 Doc. no.:
 Quantity: 1

Number: ES 3519390
 Item no.:100
 Date: 19/03/2015
 Page: 3 / 6

Omega 125-290 A GB P F

Version no.: 1



Curve data

| | | | |
|--------------------------|-------------|-----------------------------|--|
| Speed of rotation | 2986 rpm | Efficiency | 78.2 % |
| Fluid density | 998 kg/m³ | Power absorbed | 163.80 kW |
| Viscosity | 1.00 mm²/s | NPSH required | 11.87 m |
| Flow rate | 360.00 m³/h | NPSH 3% | 6.61 m |
| Requested flow rate | 360.00 m³/h | Curve number | K42782 |
| Total developed head | 130.00 m | Effective impeller diameter | 301.0 mm |
| Requested developed head | 130.00 m | Acceptance standard | tolerances to ISO 9906 class 2B; below 10 kW acc. to paragraph 4.4.2 |

Installation plan

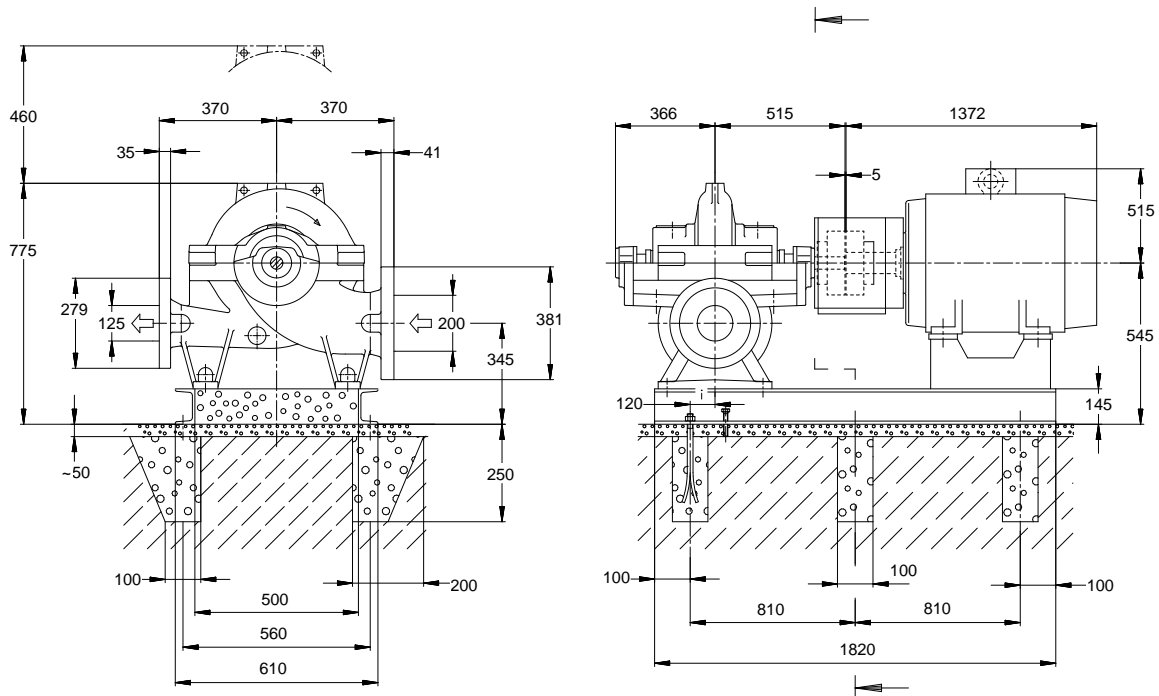


Customer item no.:
 Communication dated:
 Doc. no.:
 Quantity: 1

Number: ES 3519390
 Item no.:100
 Date: 19/03/2015
 Page: 4 / 6

Omega 125-290 A GB P F

Version no.: 1



Drawing is not to scale

Dimensions in mm

Motor

Not in scope of supply
 Motor manufacturer Siemens
 Motor size 315L
 Motor power 200.00 kW
 Number of poles 2
 Speed of rotation 2986 rpm

Baseplate

Design Pump and motor on common baseframe (3E) – light execution
 Size OM3E06
 Material S235JR
 Leakage drain baseplate Rp1, Without (8B)
 Foundation bolts M16x250

Connections

Suction flange (AS) EN 1092-2 / DN 200 / PN drilling+seal face according to 16 21A / FF
 Discharge flange (AD) EN 1092-2 / DN 125 / PN drilling+seal face according to 16 21A / FF

Coupling

Coupling manufacturer Flender
 Coupling type Eupex N
 Coupling size 180
 Spacer 0.0 mm

Weight net

Pump 275 kg
 Baseplate 155 kg
 Coupling 14 kg
 Coupling guard 3 kg
 Motor 1180 kg
 Total 1627 kg

Connect pipes without stress or strain!

Notes for dimensions:
 Drawing is not to scale.

Admissible tolerances for shaft height: DIN 747
 Dimensions without tolerance indication: ISO 2768 CK

For auxiliary connections see separate drawing.

Installation plan



Customer item no.:
Communication dated:
Doc. no.:
Quantity: 1

Number: ES 3519390
Item no.:100
Date: 19/03/2015
Page: 5 / 6

Omega 125-290 A GB P F

Version no.: 1

Dimensions without tolerance indication – Welded parts: ISO 13920 – B/F
Dimensions without tolerance indication – Cast parts: ISO 8062 – CT13 – RMA(H)

General notes:

Piping must be connected free of stress. The pump must not be used as support for the piping (The pump is not an anchor point for the piping). The piping must be fixed in such a way that no forces, vibrations or the weight of the piping is transferred to the pump. Restrictions for forces and moments on suction and pressure nozzle must be considered. Connection by means of unrestrained expansion joints is not permitted!!

Connection plan

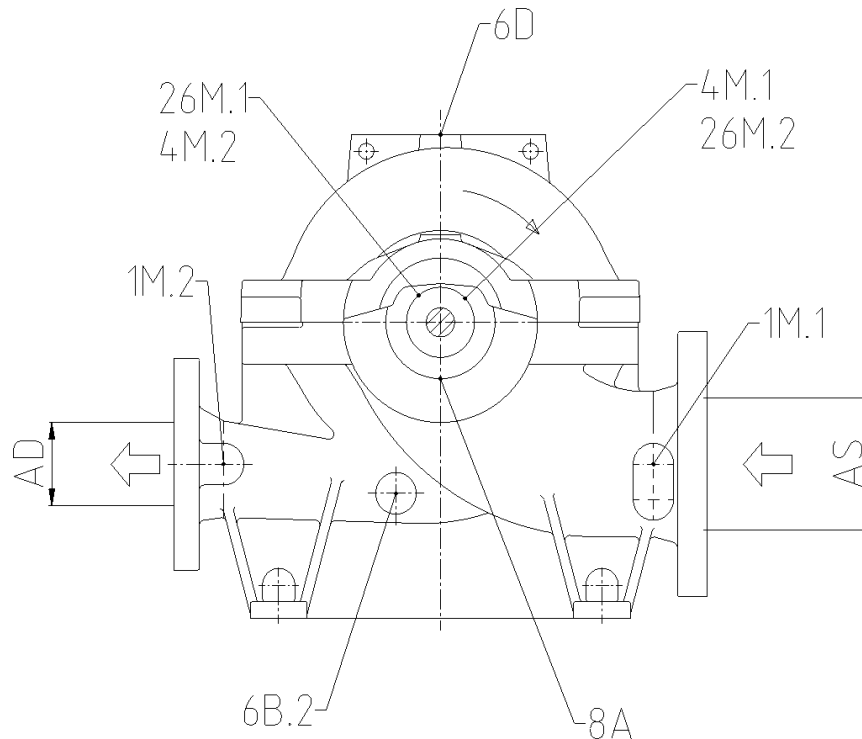


Customer item no.:
 Communication dated:
 Doc. no.:
 Quantity: 1

Number: ES 3519390
 Item no.:100
 Date: 19/03/2015
 Page: 6 / 6

Omega 125-290 A GB P F

Version no.: 1



Connections

| | | |
|---|-------|--|
| 1M.1 Pressure gauge connection | G 1/2 | Drilled and plugged. |
| 1M.2 Pressure gauge connection | G 1/2 | Drilled and plugged. |
| 4M.1 Temperature gauge connection (Suction side) | G 1/2 | Drilled and plugged. |
| 4M.2 Temperature gauge connection (Pressure side) | G 1/2 | Drilled and plugged. |
| 6B.2 Pumped liquid drain | G 1/2 | Drilled and plugged. |
| 6D Pumped medium - filling / venting | | Flexible pipe with four way connector and vent plugged |
| 8A Leakage drain | G 3/4 | Drilled and plugged. |
| 26M.1 SPM sensor connection (driver side) | M 8 | Drilled and plugged. |
| 26M.2 SPM sensor connection (non-driver side) | M 8 | Drilled and plugged. |